

Replacing the Gripping Insert

A gripping insert is adhered to the upper inner surface of the Onyx to provide a more secure fit to the finger.

Replace the gripping insert if it becomes torn or damaged, or if it begins to peel off. See "Parts and Accessories" on page 21 for the model number and description.

The Onyx will function without the gripping insert. However, NONIN recommends using the insert during normal operation.

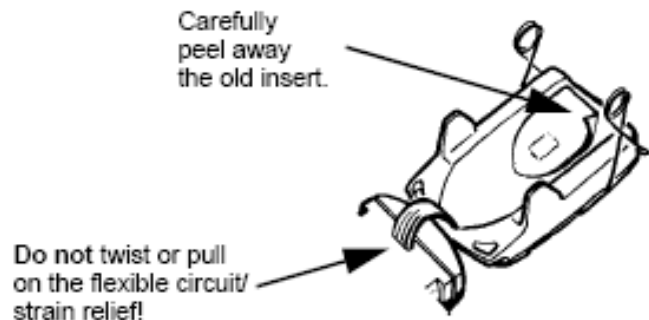


Figure 9. Removing the old gripping insert.

To Replace the Gripping Insert:

1. Disengage the spring. (See "To Disengage and Remove the Spring" on page 12.) It is not necessary to completely remove the spring.
2. Carefully peel the old gripping insert away from the surface (Figure 9).
3. Remove any residual adhesive with a soft cloth dampened with an isopropyl alcohol solution.
4. Peel the backing paper off the new gripping insert, uncovering the adhesive back.
5. Position the new insert (with the adhesive side toward the Onyx) and gently press it in place.
6. Re-engage the spring. (See "To Replace the Spring" on page 13.)

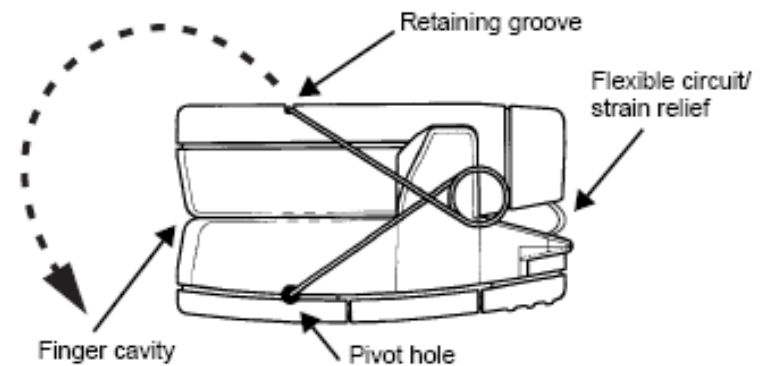


Figure 6. Disengaging and removing the spring.

To Disengage and Remove the Spring:

1. Turn the Onyx over with the back cover facing up (Figure 6).
2. Disengage the spring by gently pulling it up and lifting it out of the retaining groove. Next, rotate the spring forward (as indicated by the dashed arrow), bringing it past the finger cavity.

(The next step is only required when replacing the spring.)

3. Remove the spring by carefully pulling the ends from the pivot holes on either side.

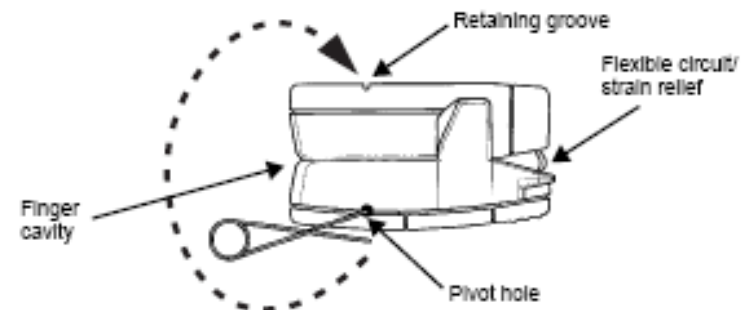


Figure 7. Replacing the spring.

To Replace the Spring:

1. Insert the ends of the new spring into the pivot holes (Figure 7) on both sides of the Onyx. Make sure that the spring is positioned as indicated in the illustration.
2. Rotate the spring up and past the finger cavity (as indicated by the dashed arrow).
3. Seat the spring into the retaining groove.